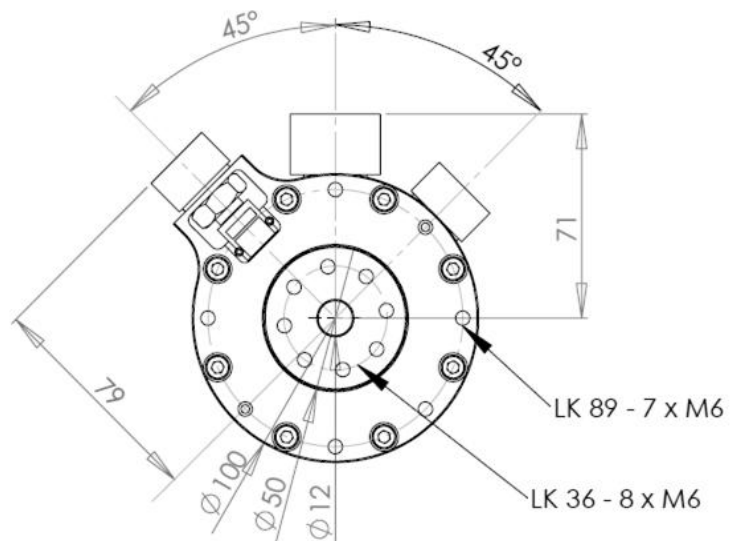


Servo Drive HD70

For rotary, angle-regulated control tasks to 100 Nm with integrated angle detection. The micro controller regulated servo drive is characterized by high dynamics and accuracy. The integrated angle detection allows high positioning accuracy in swing mode or continuous operation ($> 360^\circ$). The oil-compensated drive is designed for underwater applications up to 6,000 m. Applications for the HD70 are as steering gear in underwater vehicles.



Benefits

- optional transmission variants in the range of 30 to 100 Nm
- high dynamics
- robust control
- high accuracy

Specifications

- operation depth up to 6.000 m
- Voltage: 24 DC
- P_{max} : 800 W
- M_{max} : 100 Nm
- Ω_{max} : 0,5 rad / s
- resolution: 0.01°
- weight: 4,9 kg (air)

Applications

- underwater vehicles
- marine technical equipment



Contact

Marine Distribution & Consulting

48 Rue Claude Balbastre

34070 Montpellier / France

www.marine-distribution-consulting.com