

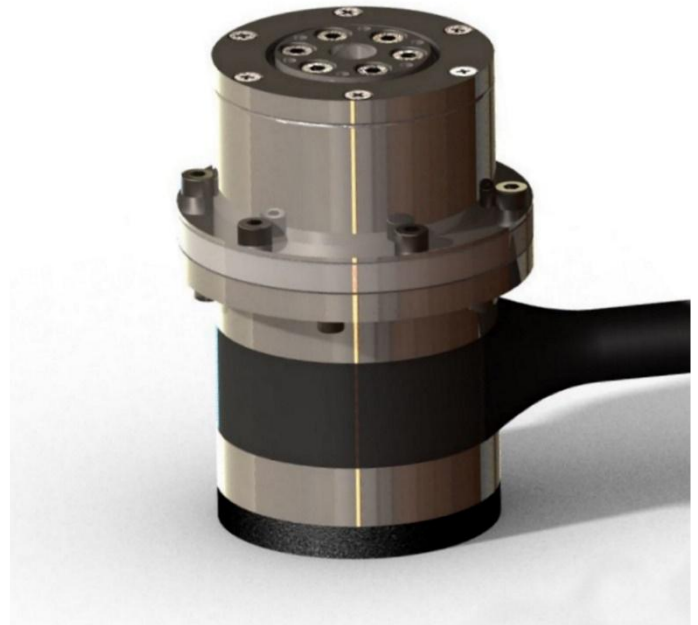
www.krakenpower.de

Adjusting drive HD88

For rotatory and angle controlled adjusting up to 28 Nm. The adjusting drive is micro controlled and is characterised by high dynamics and high precision.

The oil-compensated drive is capable for underwater applications in depths up to 6,000 m.

The drive finds itself employed in many possibilities, for example as rudder engines in underwater vehicles or in electrical underwater manipulators.



advantages

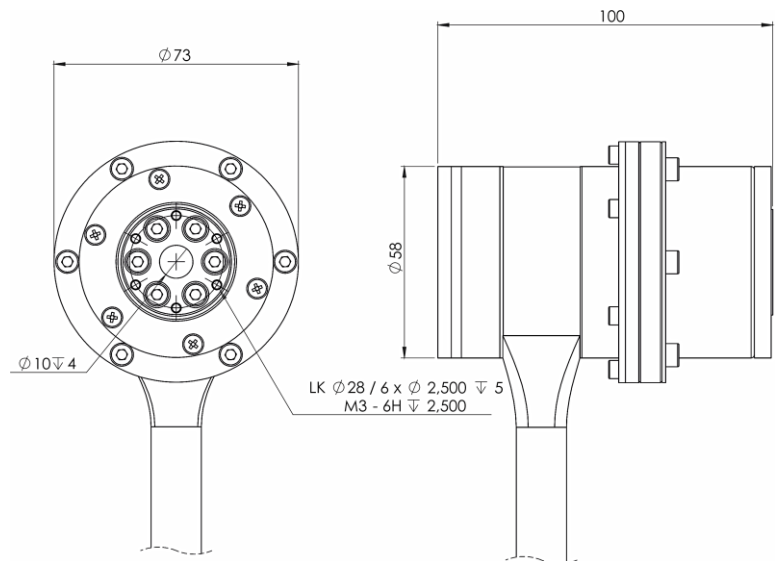
- optional gear box variants in the area of 9 to 28 Nm
- high dynamics
- robust control
- high precision

spezifikationen

- diving depth: 6.000 m
- voltage: 24 DC
- P_{max} : 100 W
- M_{max} : 28 Nm
- resolution: 0.01°
- weight: 1 kg (in air)

applications

- Underwater vehicles
- Marine equipment



Contact

Marine Distribution & Consulting

48 Rue Claude Balbastre

34070 Montpellier / France

www.marine-distribution-consulting.com