



Introduction

The *Low-Light Analog Camera* and the *Raspberry Pi Camera Module v2 w/ Wide Angle Lens* are extremely well suited for use in subsea applications. Each can pick up colors and maintain good quality even in very low-light situations.

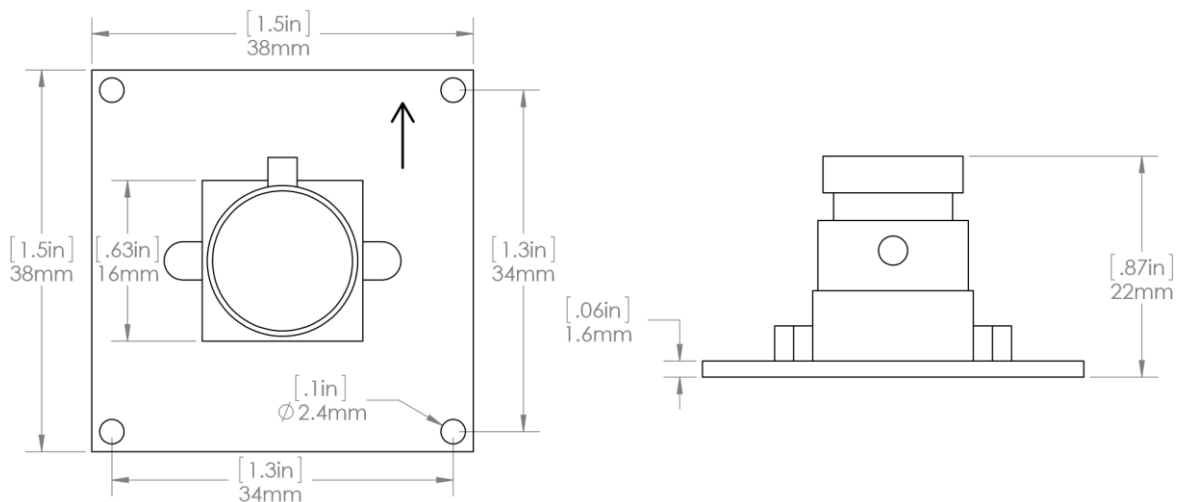
Analog Camera Specifications

Analog Camera Specification Table

Analog Camera

Camera PCB Dimensions	38mm x 38mm
Mounting Hole Spacing	33mm x 33mm
Field of View (Horizontal)	128°
Field of View (Vertical)	96°
Resolution	700TVL
Output	NTSC or PAL

Analog Camera 2D Drawings



Analog Camera CAD Model

ANALOG-CAMERA-R1

[ANALOG-CAMERA-R1.zip](#)

Analog Camera Installation

To Fathom-S



Plug in the camera connector to the Fathom-S making sure that that the yellow wire connects with **VID**, red with **12V**, and black with **GND**.

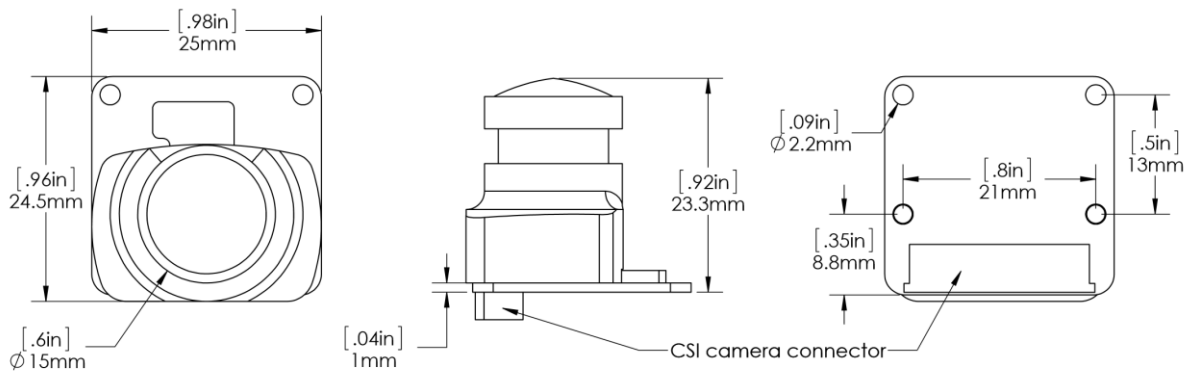
Raspberry Pi Camera Specifications

Raspberry Pi Camera Specification Table

Raspberry Pi Camera

Camera PCB Dimensions	25mm x 23mm
Mounting Hole Spacing (2 holes)	21 mm
Field of View (Horizontal)	110°
Field of View (Vertical)	°
Resolution	1080p
Connector	Raspberry Pi CSI Connector

Raspberry Pi Camera 2D Drawings



Raspberry Pi Camera CAD Model

Raspberry Pi Camera

[ASSEM-PI-CAM-R1.zip](#)

Raspberry Pi Camera Installation

There are detailed Raspberry Pi Camera installation instructions on the [Raspberry Pi Learning Resources](#) site.