

ImpactSubsea

Innovative Underwater Products

ISD4000 – Depth & Temperature Sensor



Impact Subsea is proud to present the ground breaking *ISD4000* family of **Depth Sensors**.

Compact, lightweight and highly robust, the *ISD4000* is ideal for ROV, AUV and other underwater depth and temperature measurement applications with optional integrated **Attitude & Heading Reference System (AHRS)**.

The *ISD4000* utilises the latest in depth sensing technology to provide a **depth** accuracy of $\pm 0.01\%$ FS. **Temperature** is accurate to 0.01°C .

With an optional integrated AHRS, the *ISD4000* provides a clear understanding of the position of the sensor at all times – ideal for asset deployment monitoring.

The *ISD4000* is provided in a highly robust Titanium or Delrin® housing. The unit can be provided without the AHRS. Alternative OEM configurations are available upon request.

Features

$\pm 0.01\%$ FS Depth

0.01°C Accuracy

Heading*

MRU*

Maintenance Free

Titanium Housing

Benefits

Survey grade depth sensor

Survey grade temperature sensor

Provides heading to $\pm 0.5^{\circ}$

Pitch and Roll readings, provided to 0.2° accuracy

Non-block pressure port

Robust and long lasting

Applications

ROV & AUV Depth Sensor

Echosounder Surveys

Pipeline Surveys

Real Time Depth

Temperature Measurement

Motion Reference

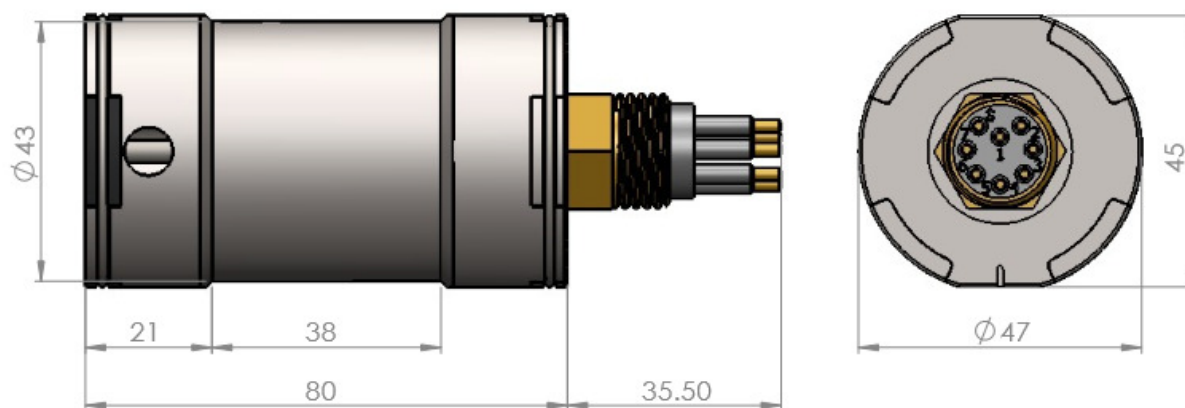
Asset Deployment

www.impactsubsea.com

ImpactSubsea

Innovative Underwater Products

ISD4000 – Depth & Temperature Sensor



Shown above is the standard configuration of the **ISD4000** Depth and Temperature sensor. Other housing and connector options are available. All dimensions are in mm.

Depth	
Accuracy	± 0.01% Full Scale
Resolution	0.001% Full Scale
Range	10, 30, 50, 100, 300, 400 or 600 Bar
Type	Temperature Compensated Piezo-Resistive
Communications & Power	
Digital	RS232 & RS485
Protocol	300 to 115200 baud
Data	Continuous or on demand
Data Rate	Up to 100Hz
Input Voltage	7 to 32V DC
Power	<30mA @ 24V DC
Heading*	
Accuracy	± 0.5°
Resolution	0.1°

Pitch & Roll*	
Pitch	± 90°
Roll	± 180°
Accuracy	0.2° RMS
Resolution	0.1°
Temperature	
Accuracy	0.01 °C
Resolution	0.001 °C
Physical	
Weight (Air / Fresh Water)	0.42/0.28kg (Titanium) 0.20/0.10kg (Delrin®)
Depth Rating	6,000m (Titanium) 500m (Delrin)
Temperature	-5 to 25° Calibrated -10 to 60° Operation -20 to 70° Storage
Connector	Subconn MCBH8M-SS other options available

Specifications subject to change in line with product enhancements. Rev 1.5. * Option

sales@impactsubsea.co.uk
+44(0)1224 460 850
www.impactsubsea.com